

Molder  
Disnova  
Composites

# **CURVED POOL SLIDE H130**

## **Assembly instructions**





# Installation information

## INSTALLATION IN POOLS

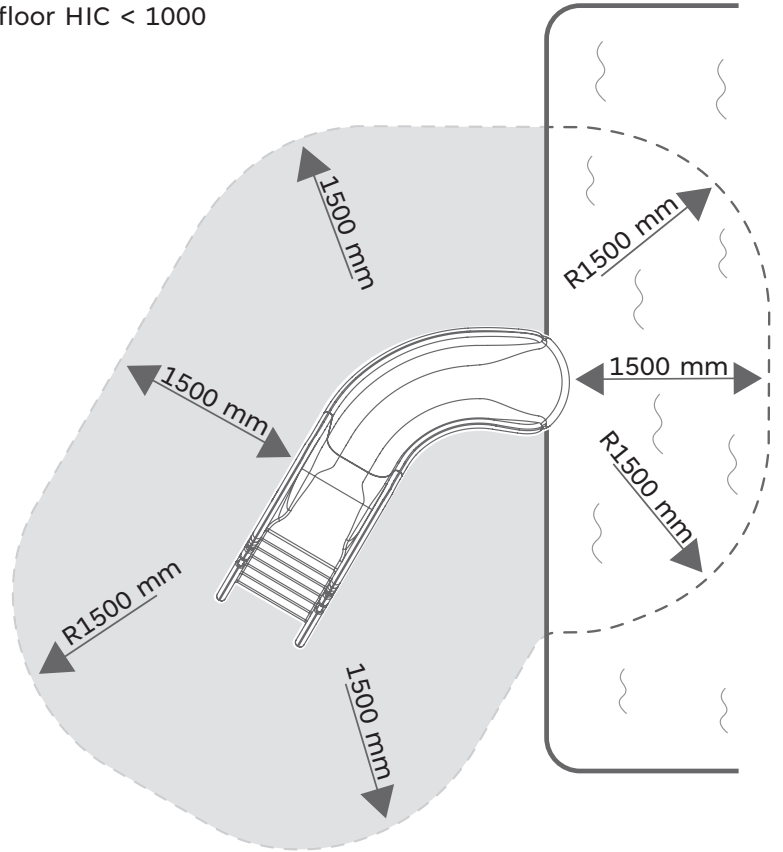
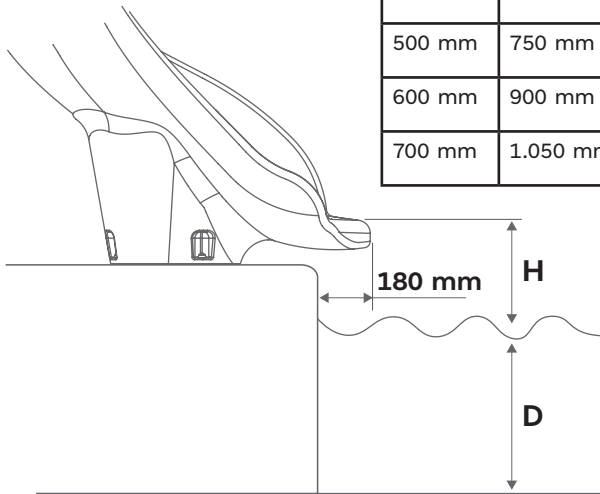
Do not install or use this slide if the safety distances indicated in the following graphics are not met:

--- Impact zone (area free of protruding elements)



cushioned floor HIC < 1000

H	D min
250 mm	375 mm
300 mm	450 mm
400 mm	600 mm
500 mm	750 mm
600 mm	900 mm
700 mm	1.050 mm



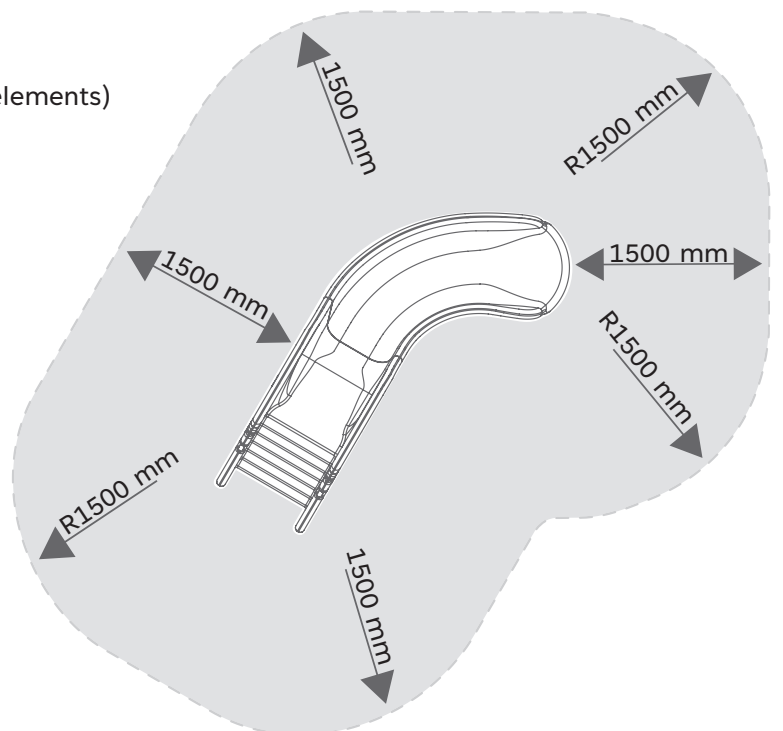
## INSTALLATION IN SPRAY PARKS

Do not install or use this slide if the safety distances indicated in the following graphics are not met:

--- Impact zone (area free of protruding elements)



cushioned floor HIC < 1000





## Safety rules

- Do not use if there is movement between the slide base and the fixing surface or if there are signs of breakage or deterioration of the surface.
- This slide should never be used without adult supervision.
- Its use by more than one user at the same time is not permitted.
- Jumping headfirst is not allowed.
- Jumping standing is not allowed.
- It should be used only in the seated sliding position. Never standing, on your back or head.
- Swimming and diving under the equipment is prohibited.
- Users must maintain a constant grip on the handles and handrails until they are in the sliding position.
- Check that there are no electrical conduits in the area where the slide is going to be fixed with screws. Current electrical regulations and requirements must be respected.



## Maintenance

### ***Routine eye inspection***

This inspection should be carried out at least once a week to identify obvious risks that may arise from acts of vandalism, continued use or weather conditions, such as breaks in the surface, deteriorated fastenings, etc...

Likewise, the absence of obstacles within the impact area must be checked.

### ***Functional inspection***

This inspection aims to check the operation and stability of the equipment and, in particular, detect possible signs of wear. The surfaces, anchors and plugs, the stability of the equipment and the correct spraying of the water system must be checked.

It is advisable to carry it out every 1 to 3 months depending on the severity of the use or vandalism.

### ***Annual main inspection***

In this inspection, which must be carried out once a year, special attention will be paid to the stability of the equipment. A thorough inspection of the condition of the anchors must be carried out, checking the recommended tightening torque, lubrication or adjustment of the anchors.

The water spray system should also be checked and the nozzle cleaned or replaced in case of malfunction.

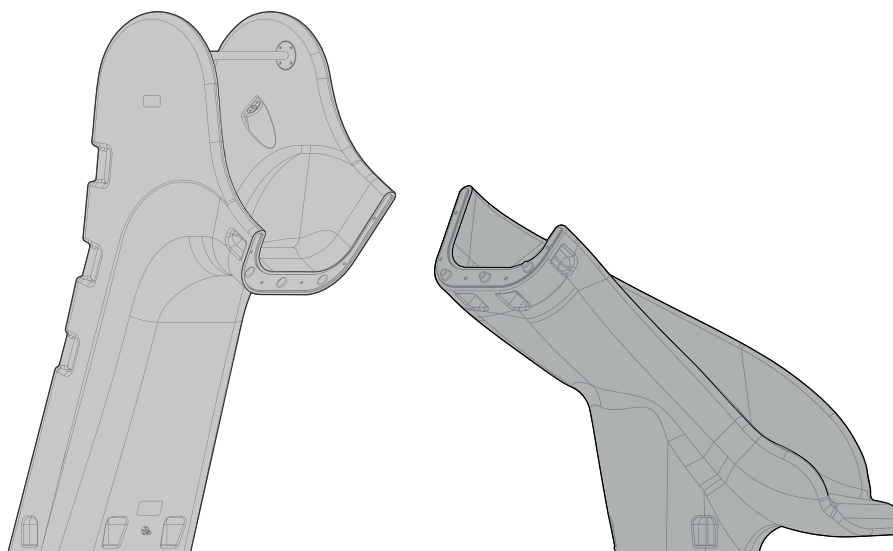
***If during the course of an inspection excessive wear or breakage on surfaces or fixings is detected, immediate replacement of the component or the complete assembly, as appropriate, is recommended. To do this, you must contact the manufacturer/distributor ([www.molderdisnova.com](http://www.molderdisnova.com)).***

# Assembly instructions

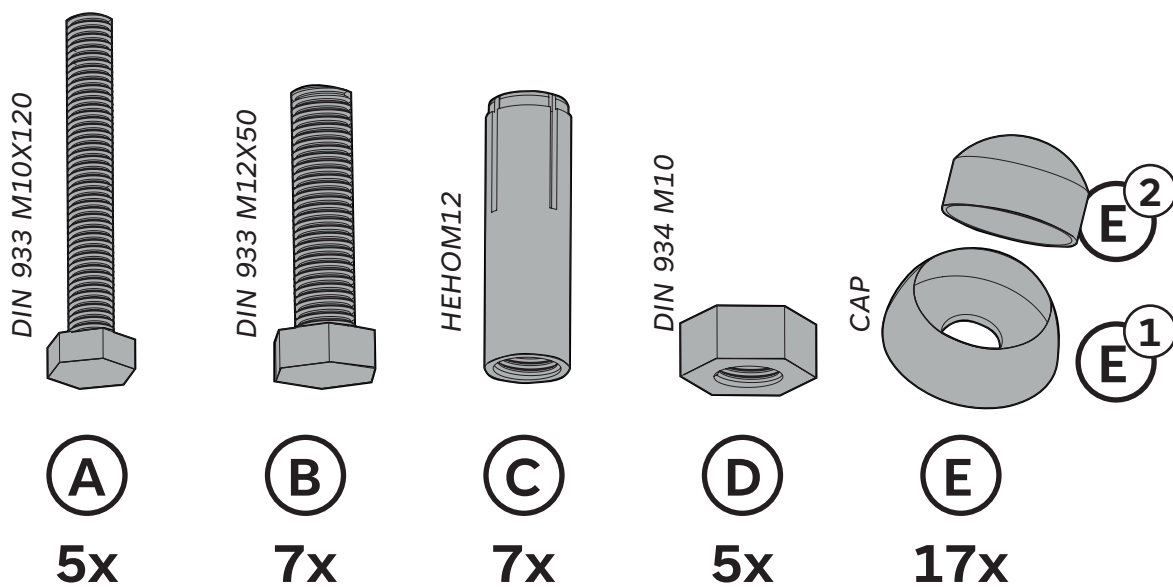


Two people

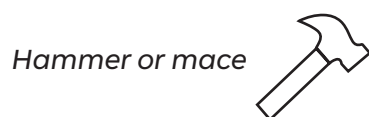
## Equipment parts



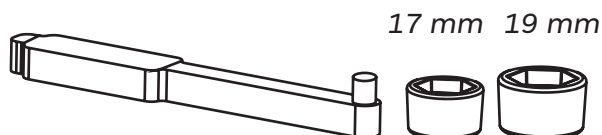
## Material list



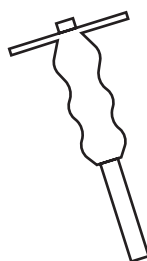
## Tools needed



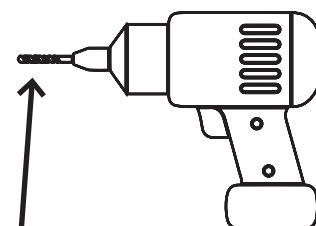
Ratchet tool



Manual expansion tool for drop in anchors

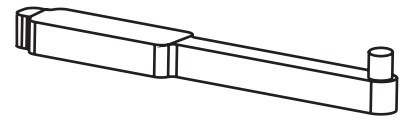


Hammer drill

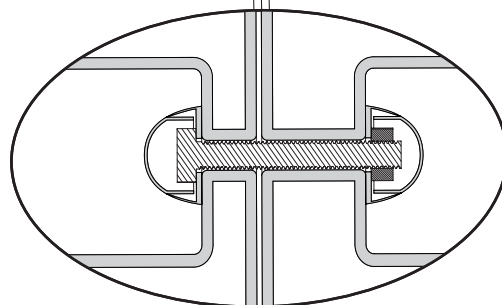
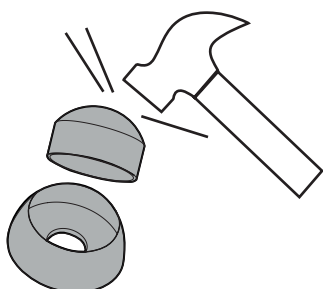
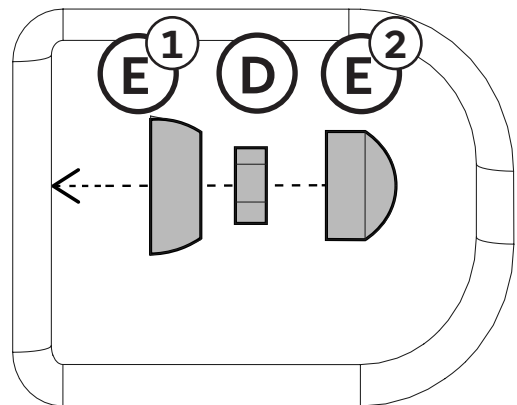
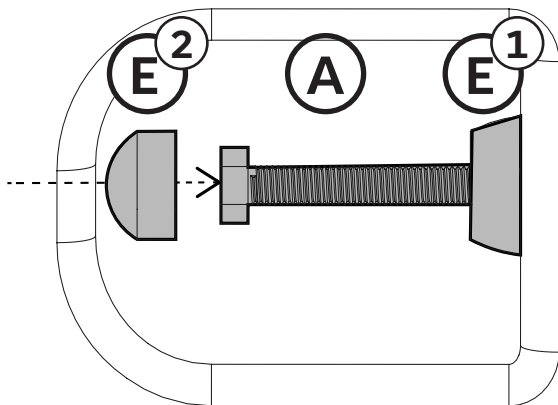
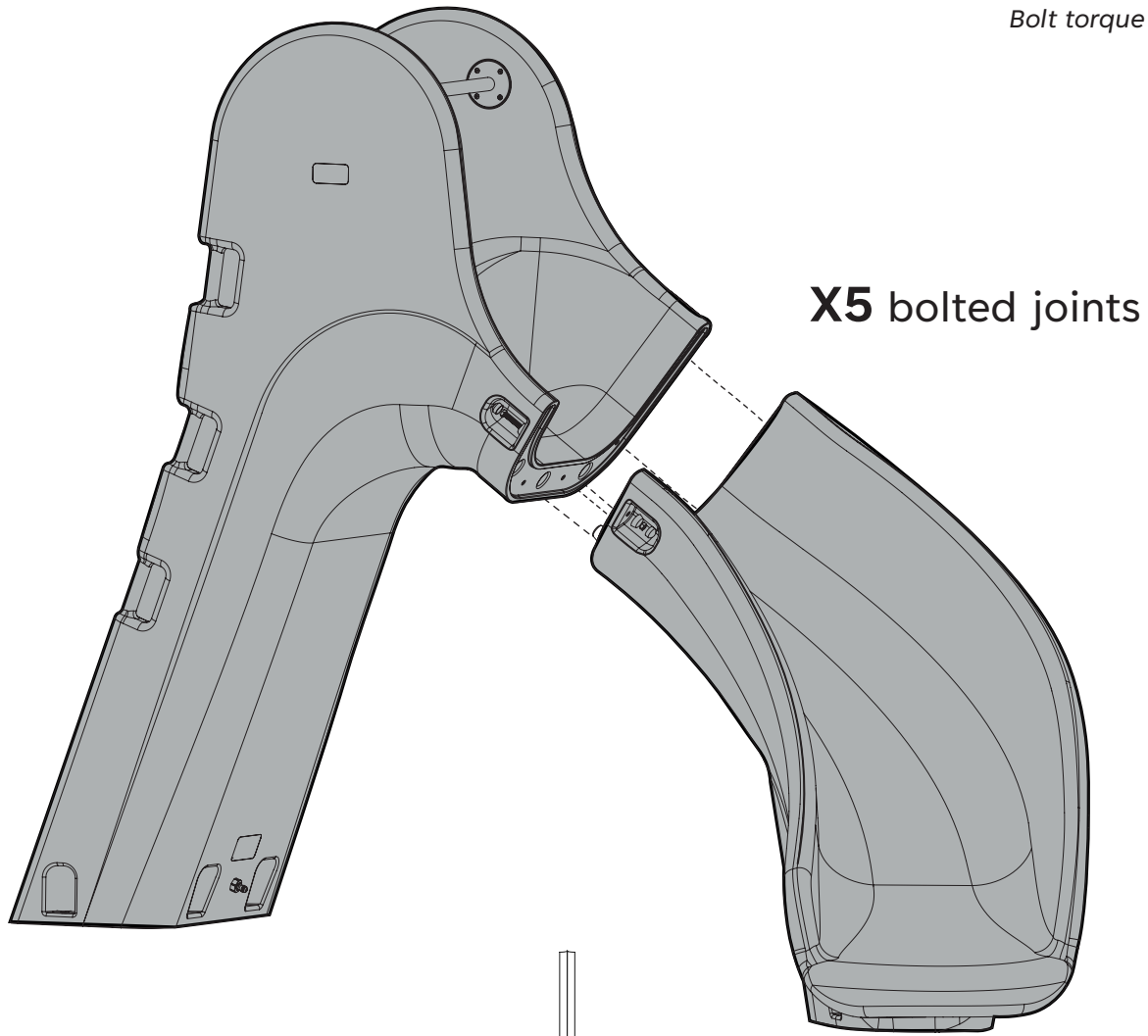


Concrete Drill bits Ø15 mm

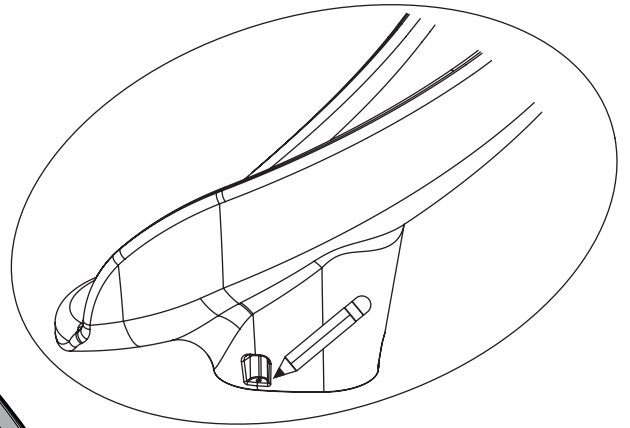
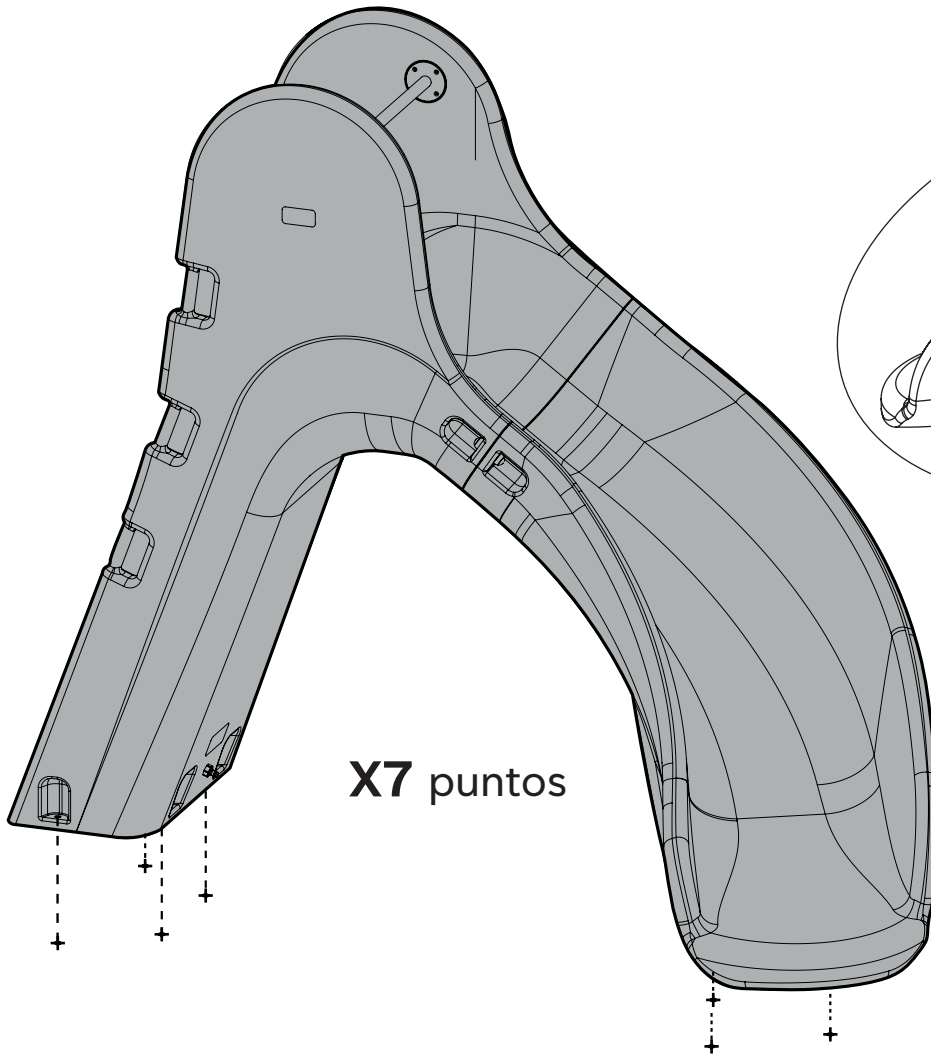
# 1 Assembly



Bolt torque 12 Nm

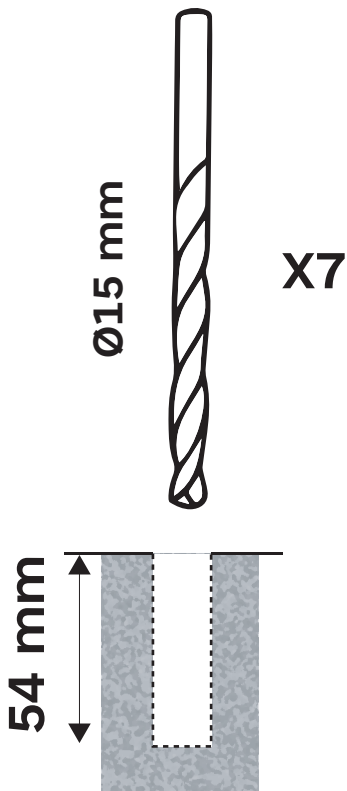


## 2 Marking of fixing points to the ground

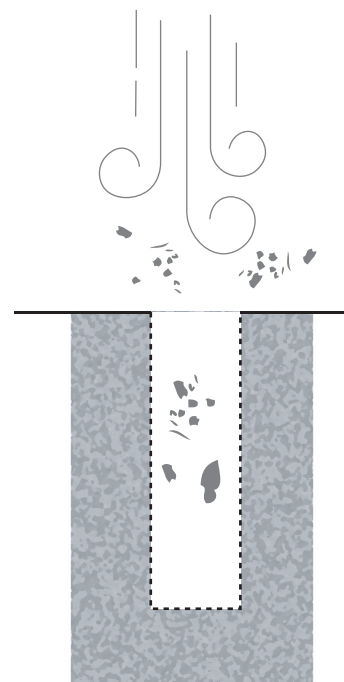


*Avoid drilling into joints or cracks between tiles. Reposition the slide if necessary.*

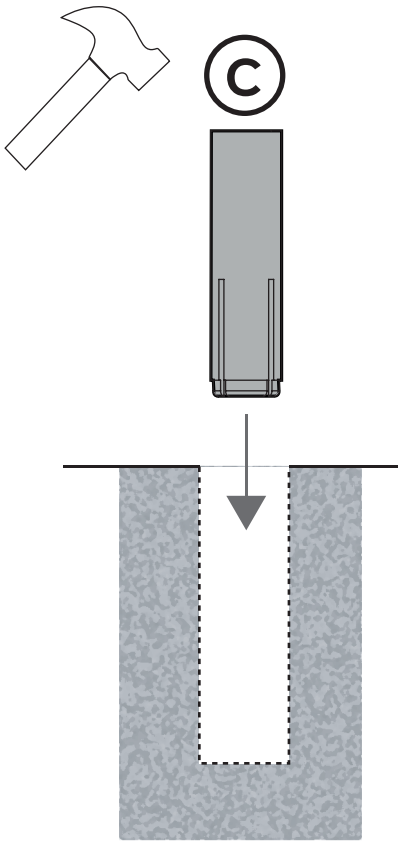
## 3 Drill in points



## 4 Clean the drill holes

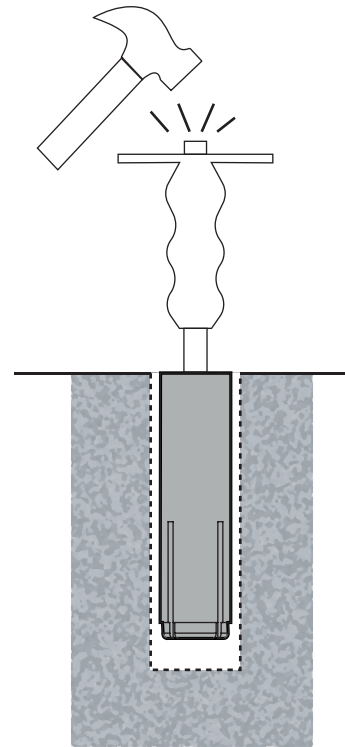


**5** Insert the Drop-In anchors



Use a hammer if necessary.  
Make sure the anchor is at the same level as the base material.

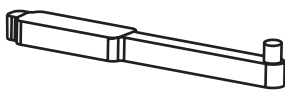
**6** Expand the anchor within the hole



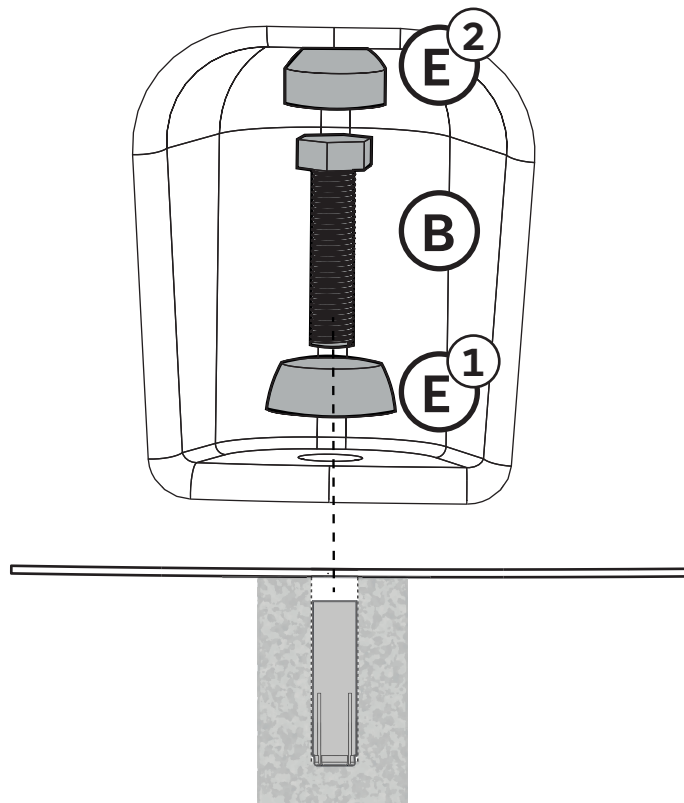
Use a manual expansion tool for drop in anchors.

insert the setting tool and hit with a hammer until the Drop-In anchor is fully set.

**7** Fix the slide to the ground

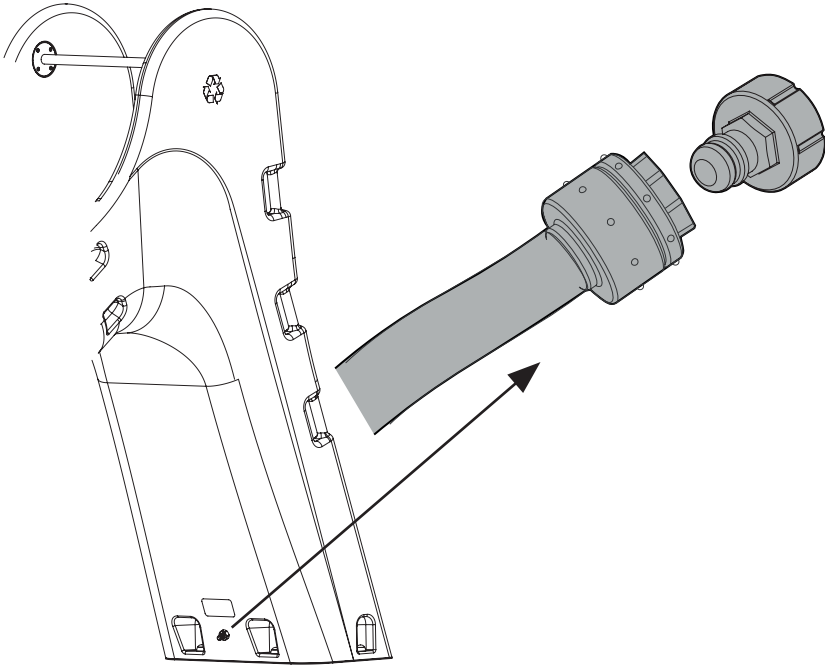


Bolt torque 12 Nm

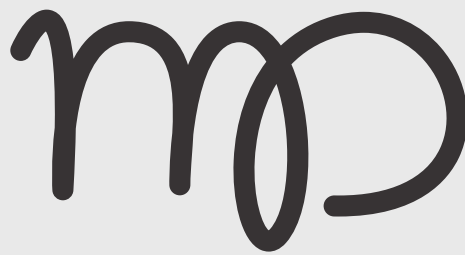
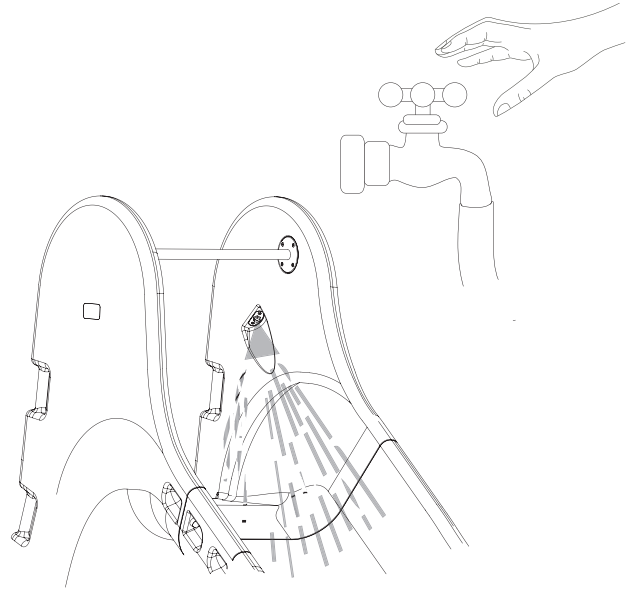




**8** Connect the hose to the water inlet



*Regulate the water flow to ensure that only the track is wet.*



**Molder Disnova Composites**

Contact us at the email address: [comercial@molderdisnova.com](mailto:comercial@molderdisnova.com)

Or call us at +34 961 240 136

[www.molderdisnova.com](http://www.molderdisnova.com)

Pol. Fuente del Jarro • C/Villa de Madrid, 30 • 46988 • Paterna (Valencia), Spain