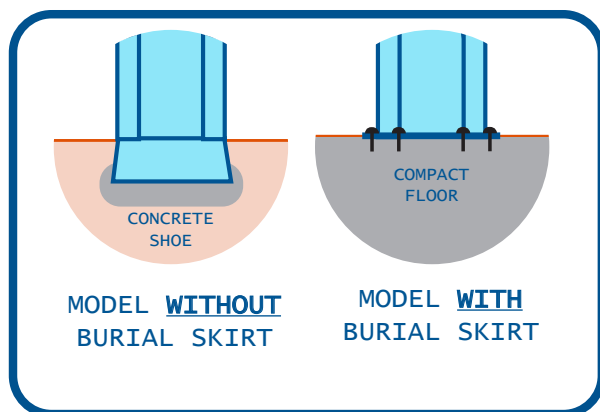
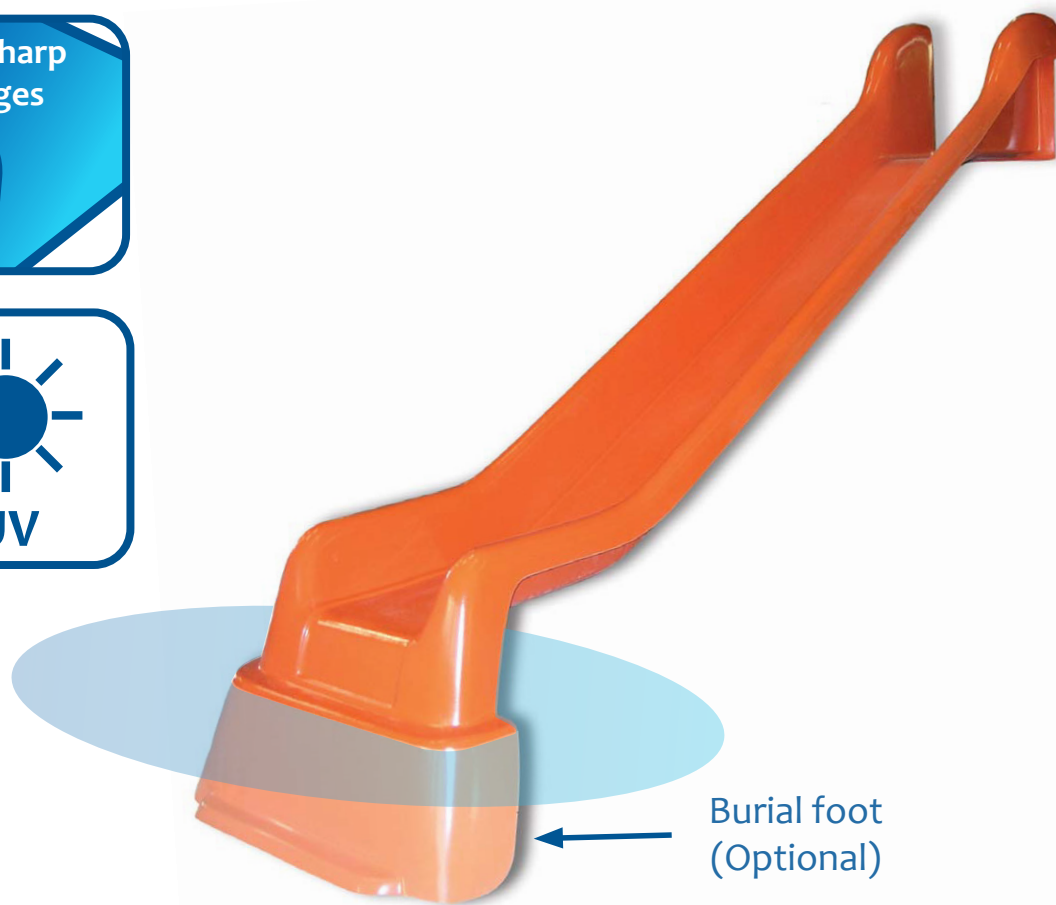
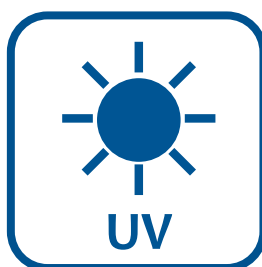
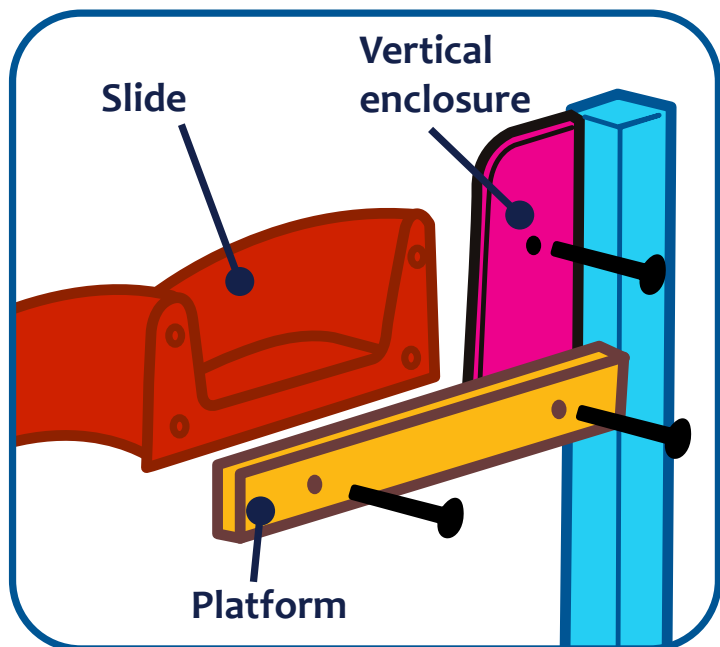


BRUSELAS SERIES

Instalación



High side height, offering greater safety in the start section of the slide. Rounded edges. Made in one piece using RTM technology

Designed according to the requirements of the EN1176 standard. Made of GRP. (Screws NOT included).

AVAILABLE COLORS:

GRAY
RAL7040

LIGHT
GREEN
RAL 6018

DARK
GREEN
RAL 6029

RED
RAL 3020

BLUE
RAL 5015

YELLOW
RAL 1018

PURPLE
RAL 4005

ORANGE
RAL 2009

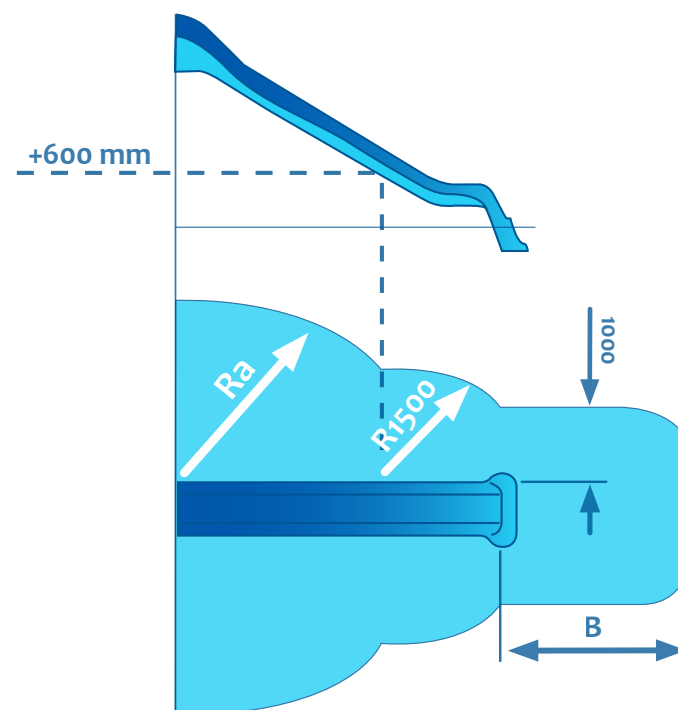
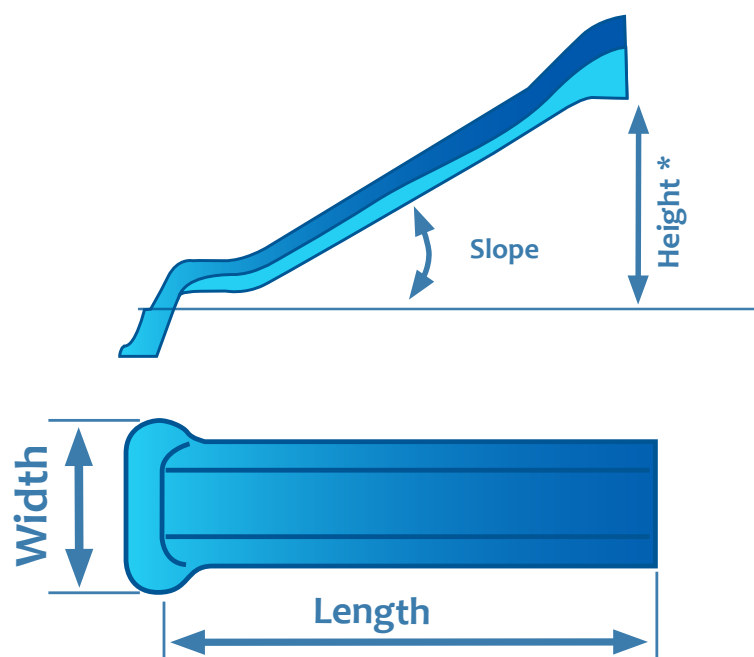


Molder Disnova Composites
www.molderdisnova.com

COMPOSITE

BRUSELAS SERIE

Safety clearance distances according to the requirements of the EN1176 standard



* All models can be installed with their standard height or 10 cm below.

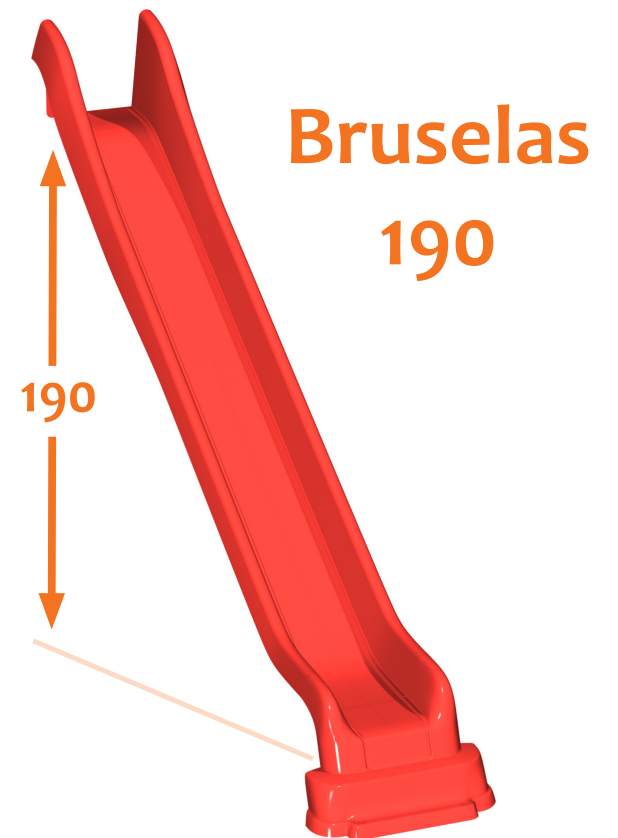
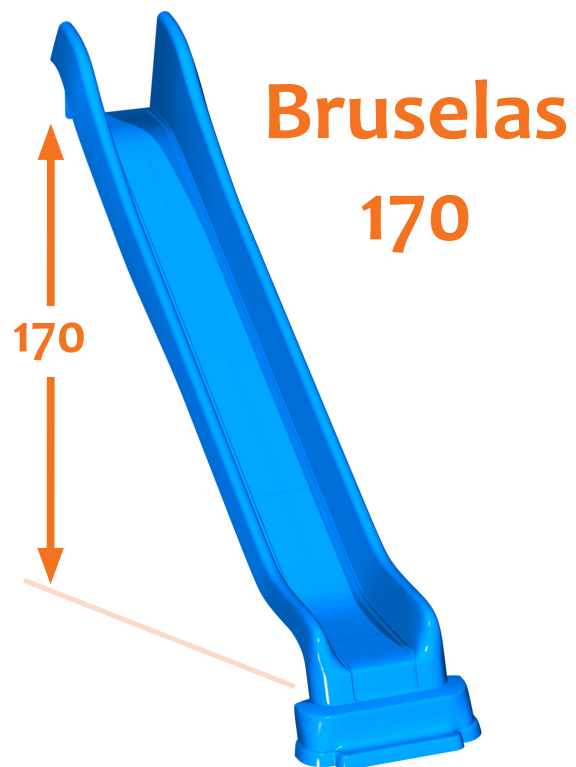
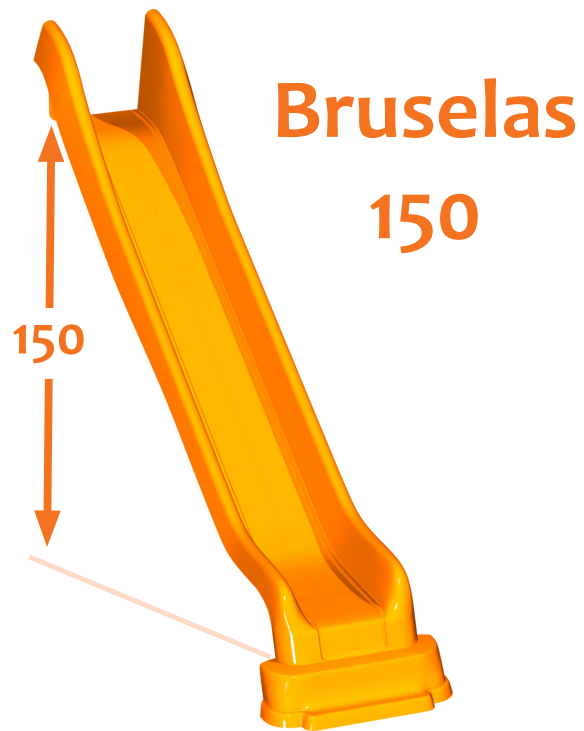
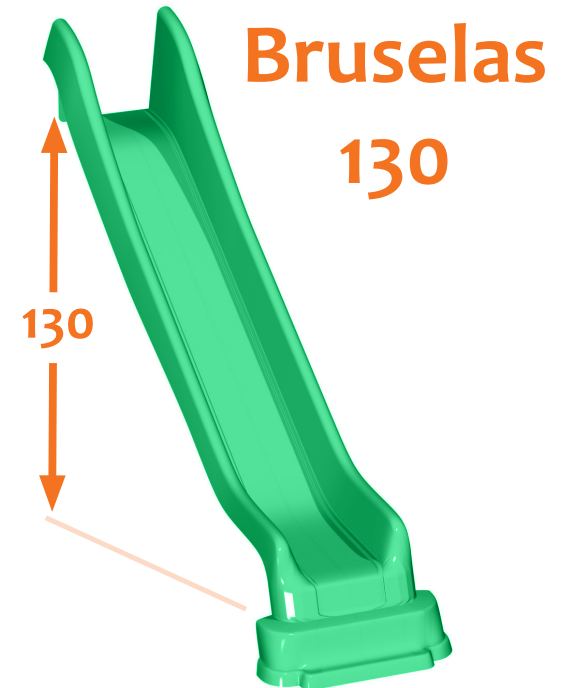
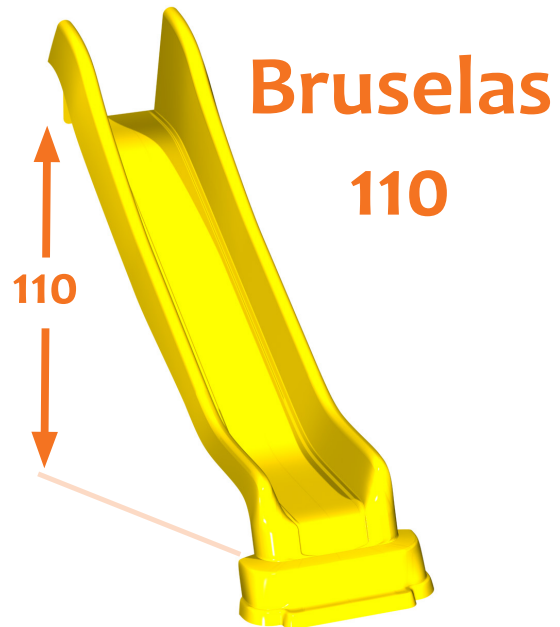
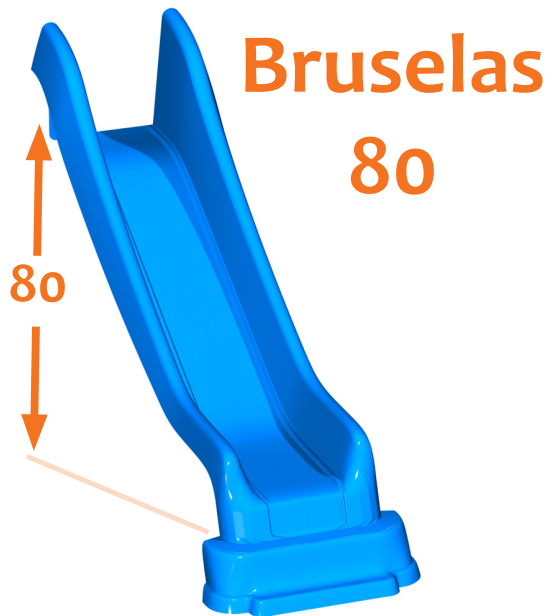
	Height	Length	Width	Slope	Ra	B
Bruselas 90	900	2.375	715	29°	1.500	1.000
Bruselas 110	1.100	2.720	695	30°	1.500	1.000
Bruselas 130	1.300	3.065	665	30°	1.500	1.000
Bruselas 150	1.500	3.410	695	30°	1.500	2.000
Bruselas 170	1.700	3.775	700	30°	1.630	2.000
Bruselas 190	1.900	4.105	680	30°	1.770	2.000

Dimensions in mm.



BRUSELAS SERIE

6 DIFFERENT MODELS



COMPOSITE

