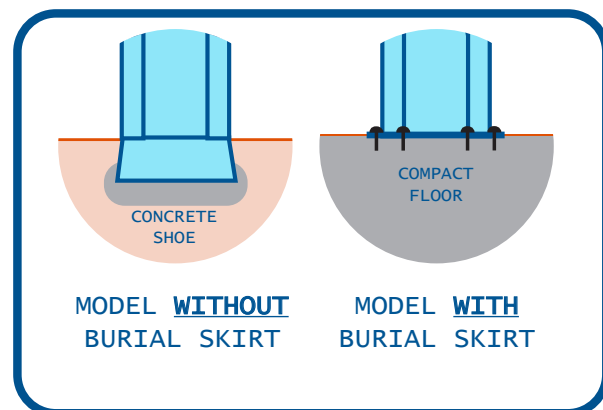
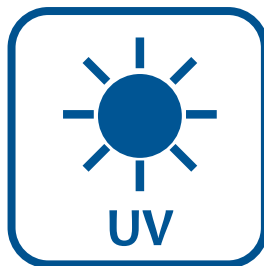
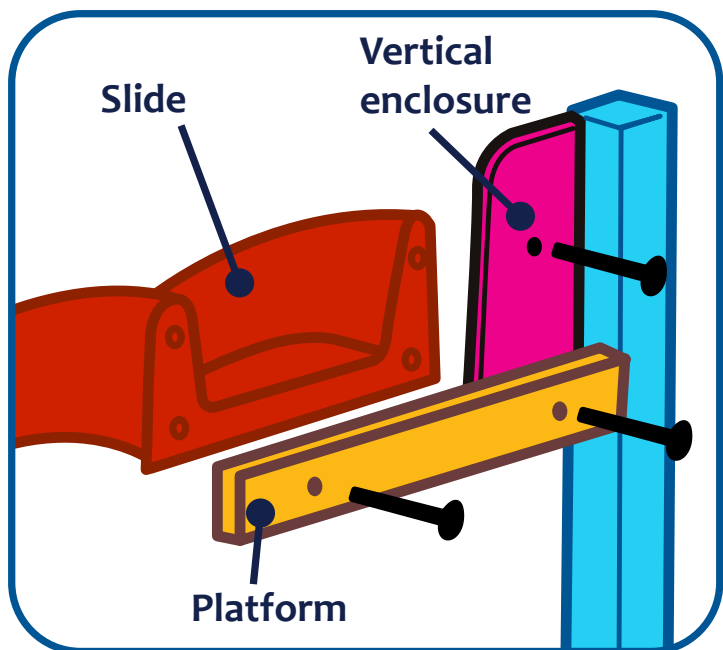


# PARIS SERIE

## Installation



Straight slide from the Paris series. Classic design and quality materials for a durable and reliable product.

It does not have a starting section, designed for direct anchoring to the platform. Rounded edges.

Designed according to the requirements of the EN1176 standard. Made of GRP, using RTM technology (Screws NOT included).

## AVAILABLE COLORS:

GRAY  
RAL7040

LIGHT  
GREEN  
RAL 6018

DARK  
GREEN  
RAL 6029

RED  
RAL 3020

BLUE  
RAL 5015

YELLOW  
RAL 1018

PURPLE  
RAL 4005

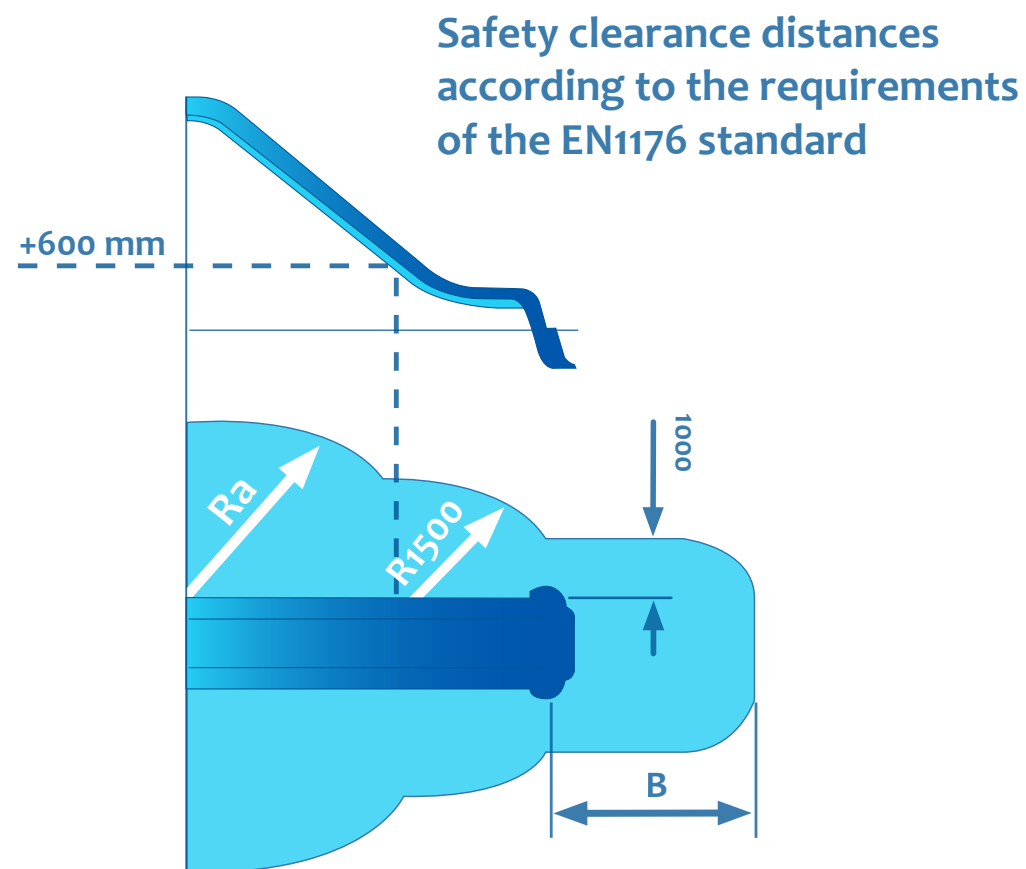
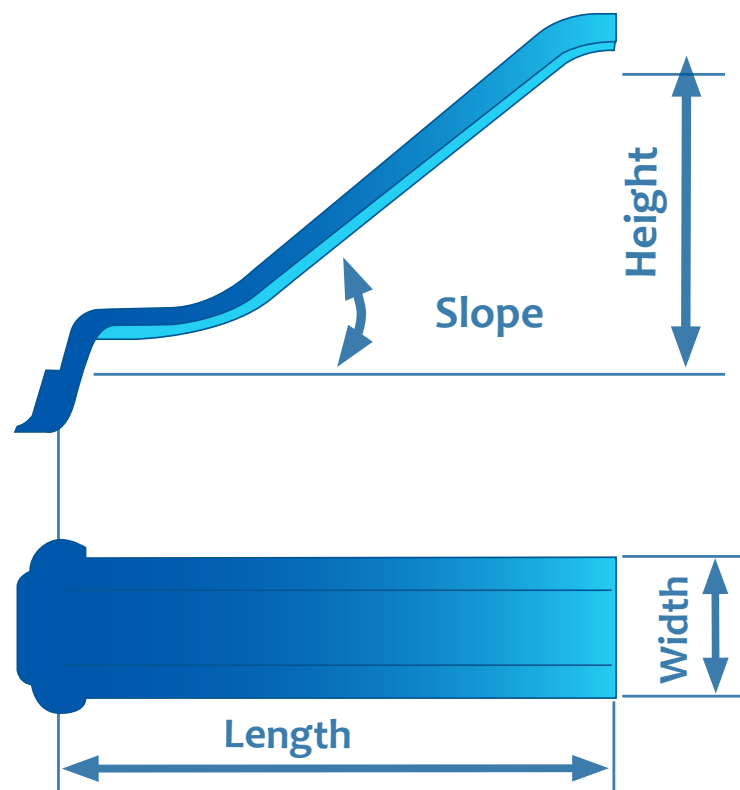
ORANGE  
RAL 2009



Molder Disnova Composites  
[www.molderdisnova.com](http://www.molderdisnova.com)

COMPOSITE

# PARIS SERIE



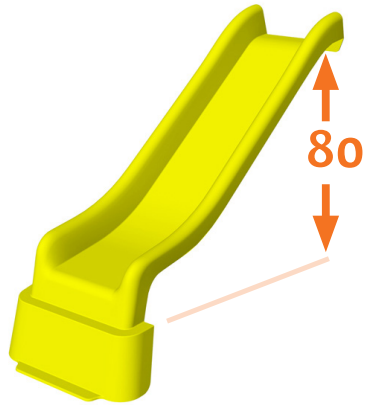
	Height	Length	Width	Slope	Ra	B
París 80	800	1.754	560	31°	1.500	1.000
París 110	1.100	2.349	560	31°	1.500	1.000
París 130	1.300	2.242	560	38°	1.500	1.000
París 150	1.500	2.480	560	38°	1.500	1.000
París 190	1.900	3.101	560	38°	1.770	2.000

Dimensions in mm.

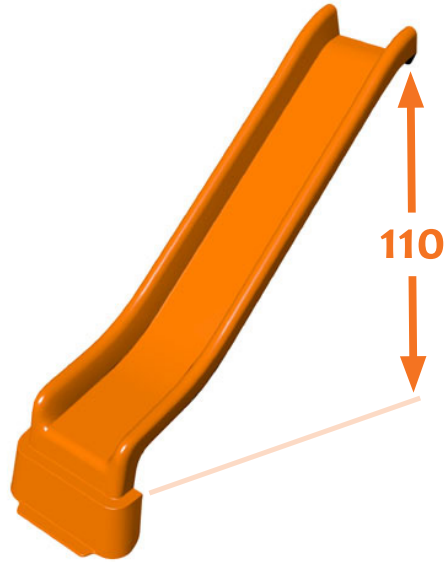


# SERIE PARÍS

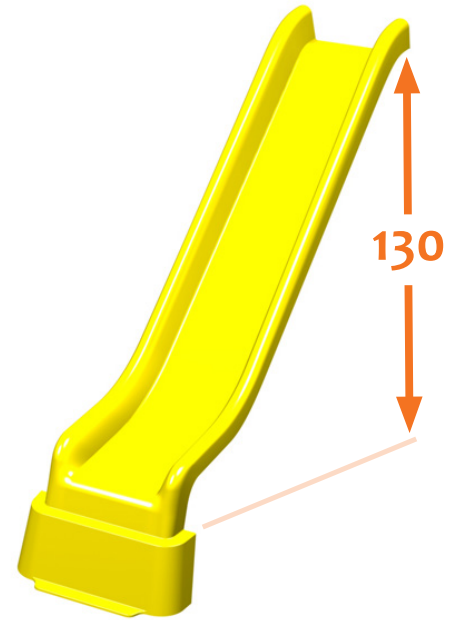
## SERIE PARÍS



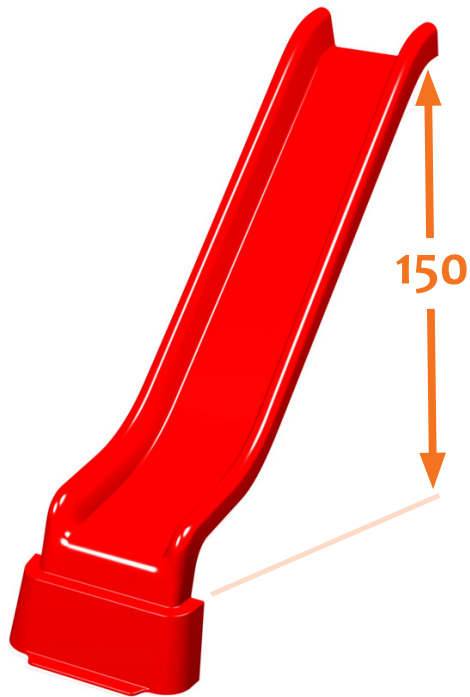
París 80



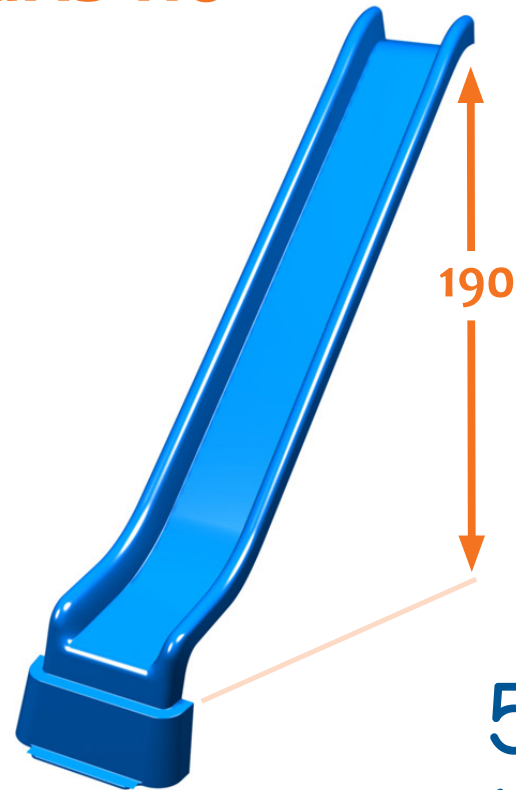
París 110



París 130



París 150



París 190

5 DIFFERENT  
MODELS

